

Three phase squirrel cage induction motors intended to be used as part of powered smoke and heat control ventilators (fans)

TECHNICAL DATA

Low voltage (380V): IP 66, 50Hz, IC418, IMB3, 250°C / 2h

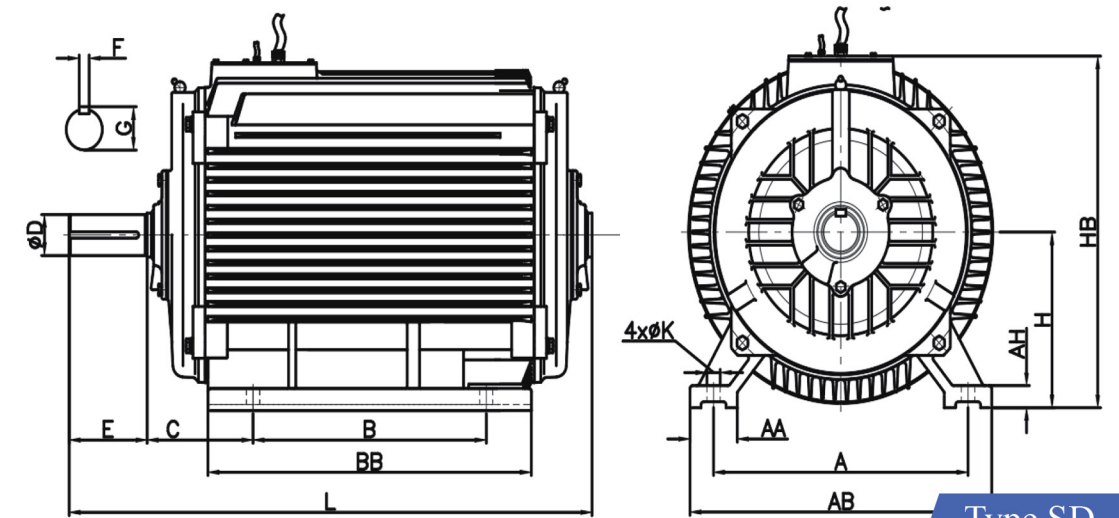
Type SD

Motor Output Kw	Motor type	Frame size mm	Speed r/min	Efficiency		Power factor		current		Torgue			Rotor inertia kgm ²
				Full load 100%	Full load 100%	Full load 100%	Full load 100%	I _N A	I _S I _N	T _N Nm	T _S T _N	T _{MAX} T _N	
3000 rev/min - 2pole													
5/5	SD1131-2A0	132S	2930	86/5	0/89	10/8	7	18/0	2/2	2/7	0/017		
7/5	SD1132-2A0	132S	2930	87/0	0/9	14/6	7	24/0	2/4	2/7	0/020		
11	SD1163-2A0	160M	2940	89/0	0/88	21/3	6/5	35/8	2/1	2/9	0/038		
15	SD1162-2A0	160M	2931	86/7	0/88	29/6	6/7	49/0	2/5	3	0/040		
18/5	SD1161-2A0	160L	2945	90/7	0/91	34/0	7/1	60/0	2/4	3/4	0/050		
22	SD1181-2A0	180M	2940	90/1	0/89	42/0	6/1	71/0	2/4	3/1	0/070		
30	SD1201-2A0	200L	2958	91/4	0/88	56/6	7/2	97/0	2/6	3/5	0/135		
37	SD1202-2A0	200L	2956	92/0	0/87	70/6	7/7	120/0	2/7	3/7	0/152		
45	SD1221-2A0	225M	2968	92/9	0/89	82/4	6	145/0	2	3	0/229		
55	SD1251-2A0	250M	2969	93/3	0/9	99/8	6	177/0	1/7	2/9	0/442		
75	SD1281-2A0	280S	2980	93/5	0/9	135/9	6/2	241/0	2/3	3/2	0/769		
90	SD1282-2A0	280M	2982	94/4	0/91	158/5	6/8	288/0	2/5	3/4	0/956		
1500 rev/min - 4pole													
5/5	SD1131-4A0	132S	1455	87/0	0/82	11/5	6/3	35/5	2/6	2/7	0/020		
7/5	SD1132-4A0	132M	1455	87/8	0/83	15/6	6/9	49/0	2/2	2/6	0/025		
11	SD1162-4A0	160M	1461	89/6	0/86	21/8	6/8	72/0	2/9	2/9	0/050		
15	SD1161-4A0	160L	1450	89/8	0/87	29/0	6/4	99/0	2/5	2/8	0/052		
18/5	SD1181-4A0	180M	1469	90/5	0/85	36/6	6/8	120/0	2/4	3/3	0/124		
22	SD1182-4A0	180L	1471	91/6	0/84	43/5	6/7	143/0	2/3	3/2	0/138		
30	SD1201-4A0	200L	1475	92/4	0/87	56/7	7/1	195/0	2/4	3/4	0/227		
37	SD1221-4A0	225S	1479	92/2	0/89	69/0	5/7	238/0	2	2/9	0/457		
45	SD1222-4A0	225M	1477	92/6	0/89	82/7	5/6	290/0	1/9	2/8	0/540		
55	SD1251-2A0	250M	1482	93/7	0/89	100/0	6/3	355/0	2/2	3	0/821		
75	SD1281-2A0	280S	1487	94/2	0/88	137/4	6	482/0	1/8	2/9	1/352		
90	SD1282-2A0	280M	1489	94/8	0/88	163/3	6/3	577/0	1/9		1/522		
1000 rev/min - 6pole													
3	SD1131-6A0	132S	950	0/8	0/77	7/4	5/8	30/0	2/2	2/3	0/017		
4	SD1132-6A0	132M	950	0/8	0/77	9/6	5/8	40/0	2/2	2/5	0/021		
5/5	SD1133-6A0	132M	950	0/8	0/79	12/8	6	55/0	2/1	2/4	0/028		
7/5	SD1162-6A0	160M	960	85/8	0/74	18/0	4/8	74/6	2	2/5	0/050		
11	SD1162-6A0	160L	960	87/1	0/79	26/0	5	109/0	2/1	2/6	0/070		
15	SD1181-6A0	180L	973	88/0	0/81	31/9	5/6	148/0	2/4	2/8	0/188		
18/5	SD1201-6A0	200L	984	90/6	0/83	37/3	5/5	181/0	2	2/7	0/270		
22	SD1202-6A0	200L	982	91/3	0/81	45/2	6/3	215/0	2/3	3	0/296		
30	SD1221-6A0	225M	982	91/5	0/81	61/6	5/2	291/0	3/4	2/8	0/543		
37	SD1251-6A0	250M	985	92/9	0/89	68/1	6/6	362/0	2/3	3/5	0/925		
45	SD1281-6A0	280S	987	92/8	0/85	86/3	5/7	435/0	1/9	2/7	1/220		
55	SD1282-6A0	280M	989	93/6	0/86	104/1	5/8	532/0	1/8	2/8	1/427		

Three phase squirrel cage induction motors intended to be used as part of powered smoke and heat control ventilators (fans)

Dimension Drawings

Low voltage (380V): IP 66, 50Hz, IC418, IMB3, 250°C / 2h



Type SD

Frame size	Poles	H	A	B	C	D	E	F	G	K	AA	AB	BB	AH	HD	L
132M	2,4,6	132	216	178	89	38	80	10	41	12	50	262	217	18	300	433
132S	2,4,6	132	216	140	89	38	80	10	41	12	50	262	217	18	300	433
160M	2	160	254	210	108	42	110	12	45	15	68	317	262	21	369	592
160L	2,4	160	254	254	108	42	110	12	45	15	68	317	306	21	369	592
180M	2,4	180	279	241	121	48	110	14	51/5	14/5	70	349	311	22	404	602
180L	4,6	180	279	279	121	48	110	14	51/5	14/5	70	349	349	22	404	630
200L	2,4,6	200	318	305	133	55	110	16	59	18/5	70	388	368	25	449	592
225S	4	225	356	286	149	60	140	18	64	18/5	75	431	368	28	497	742
225M	2	225	356	311	149	55	110	16	59	18/5	75	431	393	28	497	737
225M	4,6	225	356	311	149	60	140	18	64	18/5	75	431	393	28	497	767
250M	2	250	406	349	168	60	140	18	64	24	80	484	455	30	546	846
250M	4,6	250	406	349	168	65	140	18	69	24	80	484	455	30	546	846
280S	2	280	457	368	190	65	140	18	69	24	85	542	525	35	605	921
280S	4,6	280	457	368	190	75	140	20	79/5	24	85	542	525	35	605	967
280M	2	280	457	419	190	65	140	18	69	24	85	542	581	35	605	967
280M	4,6	280	457	419	190	75	20	79/5	24	85	542	581	547	35	605	967

Frame size	Poles	D-end bearing	N-end bearing
132M	2,4,6	6308-2ZC3	6308-2ZC3
132S	2,4,6	6308-2ZC3	6308-2ZC3
160M	2	6309C3	6309C3
160L	2,4	6309C3	6309C3
180M	2,4	6311C3	6311C3
180L	4,6	6311C3	6311C3
200L	2,4,6	6312C3	6312C3
225S	4	6313C3	6313C3
225M	2	6313C3	6313C3
225M	4,6	6313C3	6313C3
250M	2	6314C3	6314C3
250M	4,6	6314C3	6314C3
280S	2	6317C3	6317C3
280S	4,6	6317C3	6317C3
280M	2	6317C3	6317C3
280M	4,6	6317C3	6317C3

- This table is confirm of the main dimensions in mm
- In special application these dimension can be changed by costumer order

Three phase squirrel cage induction motors intended to be used as part of powered smoke and heat control ventilators (fans)

TECHNICAL DATA

Low voltage (380V): IP 66, 50Hz, IC418, IMB3, 250°C / 2h

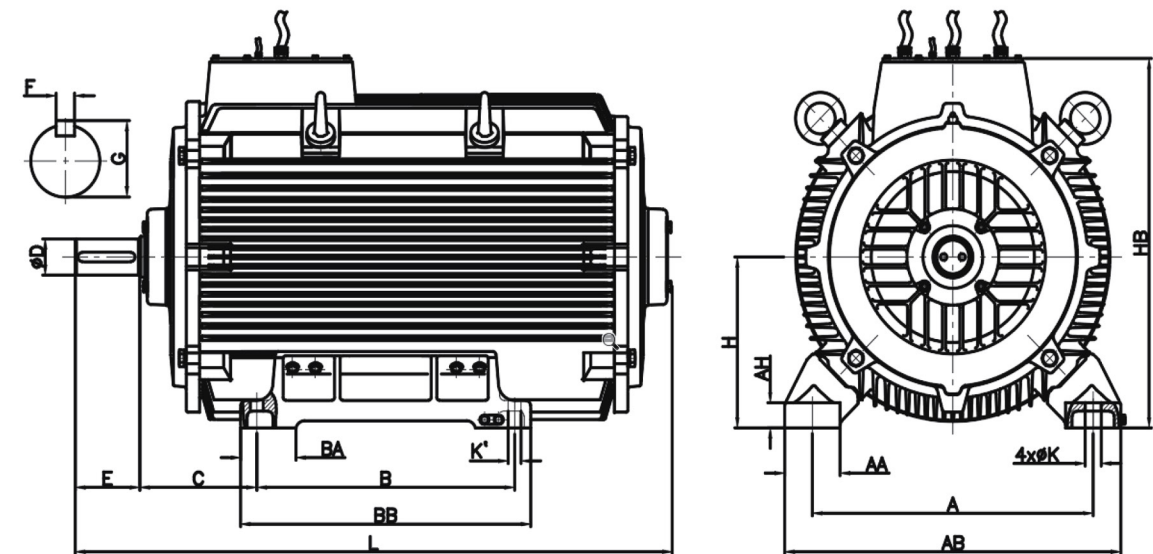
Type SU

Output Kw	Motor type	Frame size mm	Speed r/min	Efficiency		Power factor		current		Torgue			Rotor inertia kgm ²
				Full load 100%	Full load 100%	Full load 100%	Full load 100%	I _N A	I _S I _N	T _N Nm	I _S T _N	I _{MAX} T _N	
110	2966	SU1311-2A0	315S	2966	92/6	0/89	195	6/8	354	1/8	2/2	1/75	
132	2966	SU1312-2A0	315M	2966	93/1	0/89	231	6/8	425	1/8	2/2	2/25	
160	2964	SU1313-2A0	315L	2964	93/5	0/89	277	6/8	515	1/8	2/2	2/25	
185	2967	SU1314-2A0	315L	2967	93/7	0/89	372	6/8	644	1/8	2/2	2/5	
200	2967	SU1315-2A0	315L	2967	93/7	0/89	346	6/8	644	1/8	2/2	2/5	
220	2980	SU1351-2A0	355M	2980	94/2	0/89	382	6/8	705	1/2	2/2	6	
250	2981	SU1352-2A0	355M	2981	94/6	0/89	426	6/8	801	1/2	2/2	6/75	
280	2979	SU1353-2A0	355L	2979	94/9	0/89	478	6/8	898	1/2	2/2	6/75	
315	2978	SU1354-2A0	355L	2978	95/2	0/89	540	6/8	1010	1/2	2/2	8/25	
355	2979	SU1351-4A0	400L	2979	95/3	0/89	610	7	1138	1/2	1/8	7/25	
400	2975	SU1402-2A0	400L	2975	95/4	0/89	685	7	1284	1/2	1/8	8	
1500 rev/min - 4pole													
110	1487	SU1311-4A0	315S	1487	93/7	0/89	197	6/8	706	1/8	2	3	
132	1487	SU1312-4A0	315M	1487	94/2	0/89	235	6/8	848	1/8	2	3/5	
160	1487	SU1313-4A0	315L	1487	94/6	0/89	284	6/8	1027	1/8	2	4	
185	1487	SU1314-4A0	315L	1487	94/6	0/89	329	6/8	1284	1/8	2	4/5	
200	1487	SU1315-4A0	315L	1487	94/6	0/89	355	6/8	1284	1/8	2	4/5	
220	1480	SU1351-4A0	355M	1480	94/5	0/87	400	6/8	1419	1/4	2	6	
250	1480	SU1352-4A0	355M	1480	94/9	0/87	453	6/8	1613	1/4	2	6/75	
280	1480	SU1353-4A0	355L	1480	95/2	0/87	504	6/8	1807	1/4	2	6/75	
315	1484	SU1354-4A0	355L	1484	95/4	0/9	557	6/8	2027	1/4	2	8/25	
355	1487	SU1401-4A0	400L	1487	95/5	0/89	614	6/5	2280	1/2	1/8	14/25	
400	1487	SU1402-4A0	400L	1487	95/6	0/89	690	6/5	2569	1/2	1/8	16/25	
1000 rev/min - 6pole													
75	987	SU1311-6A0	315S	987	93/0	0/87	139	6/5	726	1/6	2	4	
90	987	SU1312-6A0	315M	987	93/3	0/87	166	6/5	871	1/6	2	4/75	
110	988	SU1313-6A0	315L	988	93/6	0/87	203	6/5	1063	1/6	2	5	
132	988	SU1314-6A0	315L	988	93/6	0/87	242	6/5	1276	1/6	2	6	
160	985	SU1351-6A0	355M	985	94/2	0/87	295	6/5	1551	1/3	2	7/75	
185	985	SU1352-6A0	355M	985	94/4	0/87	341	6/5	1939	1/3	2	8/25	
200	985	SU1353-6A0	355L	985	94/4	0/87	367	6/5	1939	1/3	2	9/25	
220	986	SU1354-6A0	355L	986	94/6	0/87	403	6/5	2131	1/3	2	10/25	
250	987	SU1401-6A0	400L	987	94/9	0/86	457	6/5	2419	1/3	1/8	16/75	
280	987	SU1402-6A0	400L	987	95/1	0/86	507	6/5	2709	1/3	1/8	19/75	
315	987	SU1403-6A0	400L	987	95/2	0/86	572	6/5	3048	1/3	1/8	19/75	

Three phase squirrel cage induction motors intended to be used as part of powered smoke and heat control ventilators (fans)

Dimension Drawings

Low voltage (380V): IP 66, 50Hz, IC418, IMB3, 250°C / 2h



Type SU

Frame size	Poles	A	B	C	D	E	F	G	H	K	K'	L	AB	AA	BB	BA
315S	2	508	406	216	65	140	18	69	315	28	28	1175	628	120	645	180
315S	4,6	508	406	216	80	170	22	85	315	28	28	1204	628	120	645	180
315M	2	508	457	216	65	140	18	69	315	28	28	1175	628	120	645	180
315M	4,6	508	457	216	80	170	22	85	315	28	28	1204	628	120	645	180
315L	2	508	508	216	65	140	18	69	315	28	28	1175	628	120	645	180
315L	4,6	508	508	216	80	170	22	85	315	28	28	1204	628	120	645	180
355M	2	610	560	254	75	140	20	79/5	355	35	28	1330	730	120	630	120
355M	4,6	610	560	254	90	170	20	95	355	35	28	1360	730	120	630	120
355L	2	610	630	254	75	140	20	79/5	355	35	28	1330	730	120	700	120
355L	4,6	610	630	254	90	170	20	95	355	35	28	1360	730	120	700	120
400L	2	686	710	280	80	170	22	85	400	36	28	1285	836	150	800	157
400L	4,6	686	710	280	100	170	28	106	400	36	28	1325	836	150	800	157

Frame size	Poles	HA	HD	D-end bearing	N-end bearing
315S	2	42	710	6217C3	6217C3
315S	4,6	42	710	6319C3	6319C3
315M	2	42	710	6217C3	6217C3
315M	4,6	42	710	6319C3	6319C3
315L	2	42	710	6217C3	6217C3
315L	4,6	42	710	6319C3	6319C3
355M	2	52	941	NU217E-C3+6217C3	NU217EC-C3
355M	4,6	52	941	6322C3	6322C3
355L	2	52	941	NU217E-C3+6217C3	NU217EC-C3
355L	4,6	52	941	6322C3	6322C3
400L	2	62	1027	NU217EC-C3+6217C3	NU217EC-C3
400L	4,6	62	1027	NU324EC-EC3	6324C3

- This table is confirm of the main dimensions in mm
- In special application these dimension can be changed by costumer order