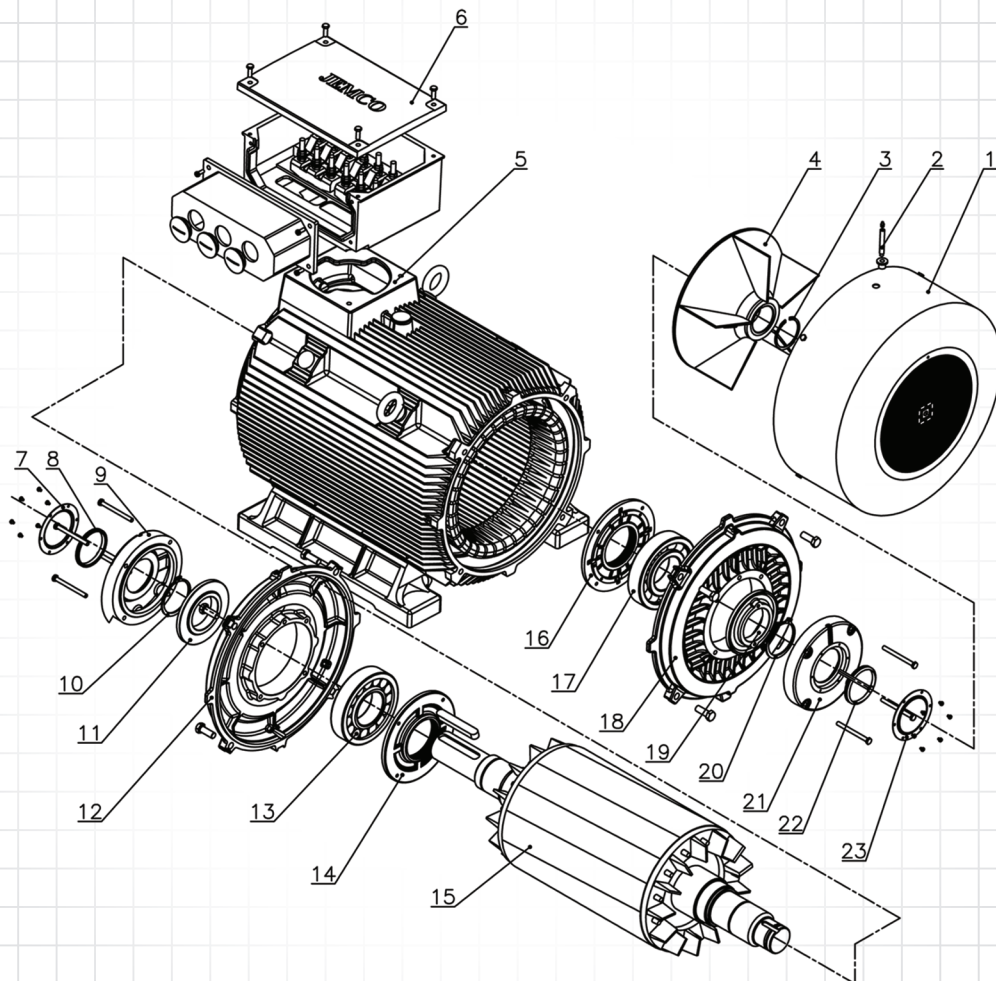


TYPICAL EXPLODED VIEW OF CAST IRON MOTORS.



JEMCO
PRODUCER & PROVIDER
OF ELECTRICAL MOTORS
0.12 KW UP TO 10 MW

Jovain Electrical Machines Industries Co.(JEMCO)

- | | |
|--|-----------------------------------|
| 1 - Outside Fan Housing | 13 - Ball Bearing |
| 2 - Inlet Lubricating Channel | 14 - Bearing Cover inside (front) |
| 3 - Retaining Ring | 15 - Rotor |
| 4 - Fan | 16 - Bearing Cover Inside (back) |
| 5 - Stator Frame with Core and Winding | 17 - Ball Bearing |
| 6 - Terminal Box | 18 - End Shield (back) |
| 7 - Cover Plate (front) | 19 - Bearing Grease Cover (back) |
| 8 - V-ring | 20 - Retaining Ring |
| 9 - Bearing Cover Outside (front) | 21 - Bearing Cover outside (back) |
| 10 - Retaining Ring | 22 - V- ring |
| 11 - Bearing Grease Cover (back) | 23 - Cover Plate (back) |
| 12 - End Shield (front) | |

TYPE YJS - MEDIUM VOLTAGE (6000V) COMPACT MOTORS

TECHNICAL DATA

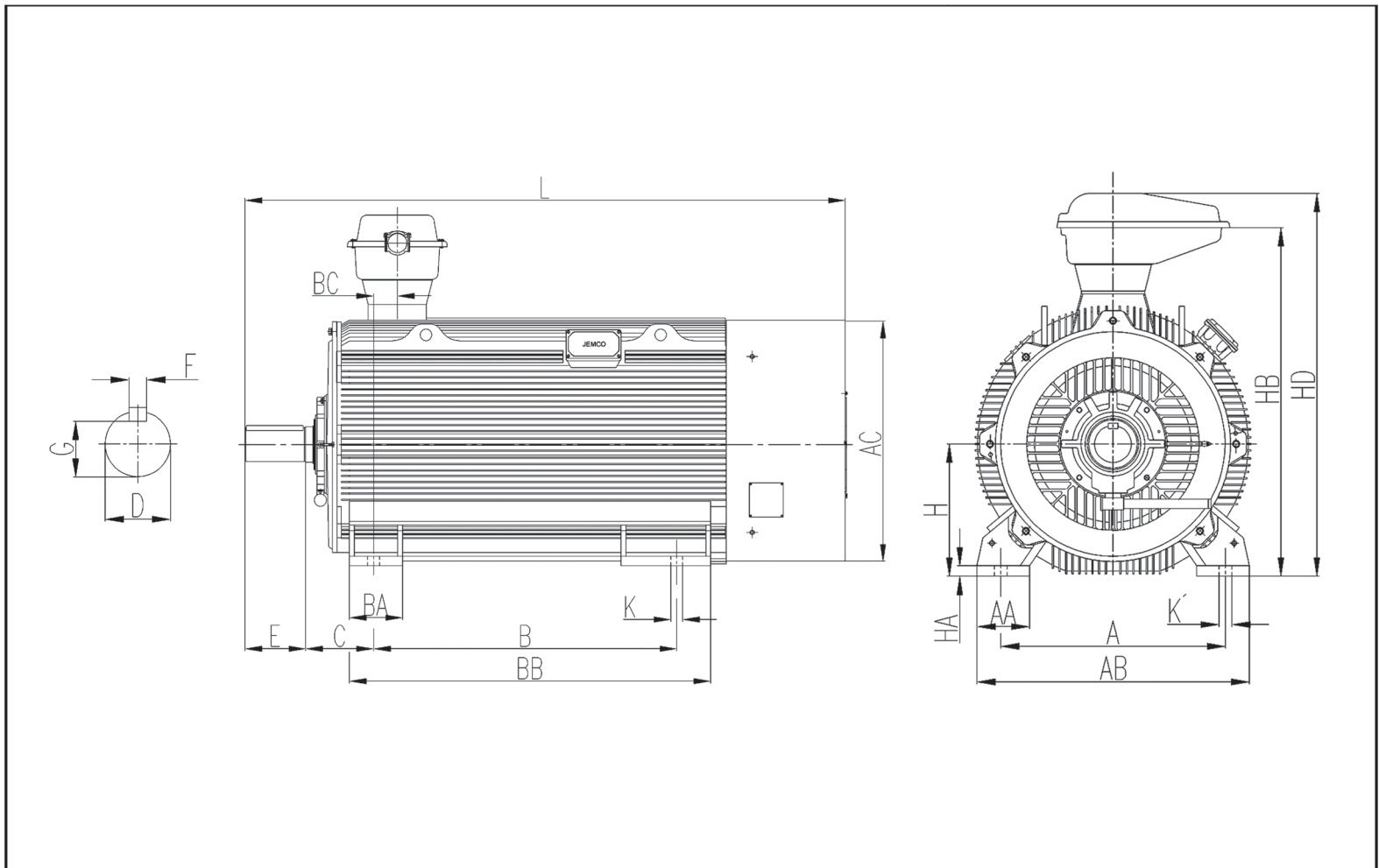
Degree of Protection: IP 55, 50 Hz, IM B3, Insulation Class : F/B, Temp.rise: B

Output Kw	Motor Type	Frame Size mm	Speed r/min	Efficiency Full Load 100%	Power factor Full Load 100%	Current		Torque		Rotor Inertia kgm ²	Motor Weight kg
						I _N A	I _s I _N	T _s T _N	T _{MAX} T _N		
3000 rev/min - 2pole											
220	YJS400-2	400	2984	93	0.87	26	6.96	0.68	1.84	32.4	2650
250	YJS400-2	400	2981	93	0.87	29.6	6.62	0.60	1.84	20	2650
280	YJS400-2	400	2983	93.4	0.88	32.9	6.81	0.61	1.84	34	2760
315	YJS400-2	400	2980	93	0.87	37.1	6.64	0.60	1.84	34	2770
355	YJS560-2	560	2979	93.7	0.87	41.8	6.67	0.67	1.84	34	3400
400	YJS560-2	560	2976	94	0.87	46.9	6.66	0.61	1.79	34	3420
450	YJS560-2	560	2979	94.5	0.87	52.5	6.85	0.64	1.8	49	3500
500	YJS560-2	560	2976	95	0.88	57.9	6.73	0.70	1.8	43	3520
560	YJS560-2	560	2976	94.8	0.88	64.6	6.7	0.61	1.84	57	3620
630	YJS560-2	560	2980	95	0.89	71.8	6.7	0.70	1.84	81	4400
710	YJS560-2	560	2982	95.3	0.89	80.9	6.8	0.65	1.84	95	4410
800	YJS560-2	560	2979	95	0.88	91.2	6.63	0.70	1.82	96	4450
900	YJS560-2	560	2980	95.5	0.89	101.8	6.69	0.65	1.83	98	4630
1000	YJS560-2	560	2977	96	0.89	113.6	6.73	0.70	1.8	97	4650
1120	YJS560-2	560	2982	95.9	0.89	126.2	6.78	0.68	1.82	97	5820
1250	YJS560-2	560	2980	96	0.89	141.5	6.6	0.70	1.8	98	5830
1400	YJS560-2	560	2982	96.1	0.89	157	6.88	0.63	1.82	99	6180
1600	YJS560-2	560	2979	96	0.89	180.6	6.75	0.70	1.82	100	6200
1500 rev/min - 4pole											
220	YJS400-4	400	1488	93.8	0.86	26.2	6.43	0.80	1.89	100	2450
250	YJS400-4	400	1486	94	0.87	29.7	6.38	0.90	1.88	109	2450
280	YJS400-4	400	1487	94	0.86	33.3	6.05	0.84	1.84	110	2510
315	YJS400-4	400	1488	94	0.86	37.5	6.43	0.80	1.89	115	2600
355	YJS450-4	450	1485	94.2	0.87	41.9	6.38	0.80	1.82	119	3600
400	YJS450-4	450	1484	94	0.87	47	6.43	0.90	1.81	127	3700
450	YJS450-4	450	1485	94.4	0.87	53	6.38	0.89	1.82	130	3720
500	YJS450-4	450	1485	95	0.89	57.6	6.38	0.80	1.82	140	3850
560	YJS450-4	450	1486	94.5	0.88	64.7	6.38	0.87	1.83	148	3900
630	YJS500-4	500	1491	95	0.9	71	6.4	0.70	1.85	381	4420
710	YJS500-4	500	1489	95.1	0.9	79.8	6.45	0.74	1.82	390	4430
800	YJS500-4	500	1490	95	0.9	89.8	6.4	0.70	1.84	396	4700
900	YJS500-4	500	1488	95.2	0.9	101.4	6.37	0.74	1.8	399	4780
1000	YJS500-4	500	1491	95	0.89	113	6.34	0.80	1.84	435	4880
1120	YJS560-4	560	1488	95.3	0.9	126	6.32	0.75	1.83	440	5890
1250	YJS560-4	560	1489	96	0.87	140.6	6.45	0.80	1.81	445	5900
1400	YJS560-4	560	1489	95.5	0.9	157	6.45	0.76	1.81	450	6110
1600	YJS560-4	560	1489	96	0.9	179.5	6.45	0.80	1.81	467	6400
1000 rev/min - 6pole											
220	YJS400-6	400	987	93.2	0.87	26.3	5.62	1	1.81	600	2690
250	YJS400-6	400	985	93	0.87	29.8	5.5	0.90	1.81	610	2700
280	YJS400-6	400	986	93.3	0.87	33.4	5.7	0.93	1.89	650	2870
315	YJS450-6	450	990	94	0.85	38	5.68	1	1.81	700	3600
355	YJS450-6	450	990	93.6	0.85	42.7	5.57	0.96	1.81	732	3700
400	YJS450-6	450	989	94	0.86	47.8	5.5	0.90	1.8	741	3900
450	YJS450-6	450	989	93.9	0.85	54.2	5.59	0.93	1.8	759	4000
500	YJS500-6	500	991	95	0.87	58.6	5.69	0.90	1.8	1059	4510
560	YJS500-6	500	992	94.6	0.87	65.7	5.59	0.82	1.8	1099	4520
630	YJS500-6	500	992	95	0.87	73.9	5.55	0.80	1.81	1186	4660
710	YJS500-6	500	992	94.6	0.86	84.2	5.67	0.85	1.82	1264	4720
800	YJS500-6	500	993	95	0.84	96.2	5.87	1.10	2.29	1369	4870
900	YJS560-6	560	993	94.8	0.88	104	6.2	0.70	1.82	1600	6040
1000	YJS560-6	560	992	95	0.88	115.4	6.4	0.70	1.8	1633	6050
1120	YJS560-6	560	993	94.8	0.85	133	6.4	0.76	1.84	1800	6260
1250	YJS560-6	560	992	95	0.86	147.5	6.2	0.80	1.83	1814	6270
750 rev/min - 8pole											
220	YJS450-8	450	741	92.8	0.82	27.8	5.45	0.85	1.8	1015	3600
250	YJS450-8	450	741	93	0.81	31.9	5.45	0.90	1.8	1026	3700
280	YJS450-8	450	740	93.1	0.83	35	5.45	0.89	1.8	1125	3770
315	YJS450-8	450	740	93	0.82	39.9	5.45	0.90	1.8	1178	3830
355	YJS500-8	500	743	93.8	0.83	43.7	5.79	0.87	1.84	1466	4260
400	YJS500-8	500	743	94	0.83	49.1	5.66	0.90	1.83	1500	4420
450	YJS500-8	500	741	94	0.85	54.5	5.45	0.86	1.8	1510	4500
500	YJS500-8	500	742	94	0.84	60.6	5.09	0.90	1.81	1665	4640
560	YJS500-8	500	742	94.2	0.84	68.3	5.4	0.86	1.82	1700	4780
630	YJS560-8	560	743	94	0.85	75.7	5.58	0.90	1.8	1722	5770
710	YJS560-8	560	744	94.7	0.85	85.1	5.82	0.86	1.84	1820	6070
800	YJS560-8	560	743	95	0.85	95.2	5.52	0.90	1.82	1929	6080
900	YJS560-8	560	744	94.8	0.84	108.9	57.7	0.85	1.84	2181	6300

Engineered Motors, YJS(Compact Motors)

Dimension Drawings

Medium Voltage(6000V), Compact Motors, IM B3, IC411, IP55, 50Hz



Frame Size	Poles	A	B	C	D	E	F	H	HD	K	L	AA	AB	AC	BA	BB	HA	BC	G	HB
400	2	710	900	224	80	170	22	400	1200	36	1865	140	840	840	260	1120	35	260	71	1030
400	4,8	710	900	224	110	210	28	400	1200	36	2000	140	840	840	260	1120	35	260	100	1030
450	2	800	1000	250	80	170	22	450	1300	42	2085	160	950	940	320	1300	40	260	71	1130
450	4,8	800	1000	250	110	210	28	450	1300	42	2220	160	950	940	320	1300	40	260	100	1130
500	2	900	1250	280	90	170	25	500	1400	42	2420	170	1050	1050	375	1570	45	200	81	1230
500	4,6	900	1250	280	120	210	32	500	1400	42	2555	170	1050	1050	375	1570	45	200	109	1230
560	4,8	1000	1600	400	160	300	40	560	1500	48	3125	230	1170	1190	620	1940	50	200	147	1330

TYPE YJS - MEDIUM VOLTAGE (6000V) - SQUIRREL CAGE MOTORS



All type of cooling system productions are available according to IEC,(such as IC511)

*This table is confirm on the main dimension in mm

*In special application these dimension can be changed by customer order