

TYPE YR - MEDIUM VOLTAGE (6000V) WOUND ROTOR MOTORS TECHNICAL DATA

Degree of Protection: IP 55, 50 Hz, IM B3, Insulation Class : F, Temp.rise: B

Output Kw	Motor Type	Frame Size mm	Speed r/min	Efficiency Full Load 100%	Power factor Full Load 100%	Current I _N A	Voltage of Rotor	Rated Current of Rotor	Torque		Motor Weight kg
									T _N Nm	$\frac{T_{MAX}}{T_N}$	
1500 rev/min - 4pole											
220	YR1351-4A0	355	1474	92.7	0.83	26	339	407	1425	1.8	2510
250	YR1352-4A0	355	1474	93	0.84	30	365	430	1620	1.8	2590
280	YR1353-4A0	355	1474	93.1	0.84	33	395	444	1814	1.8	2650
315	YR1401-4A0	400	1476	93.2	0.85	37	397	491	2038	1.8	3020
355	YR1402-4A0	400	1476	93.3	0.85	42	433	506	2297	1.8	3120
400	YR1403-4A0	400	1477	93.5	0.85	46	478	516	2568	1.8	3240
450	YR1404-4A0	400	1478	93.7	0.85	52	530	521	2907	1.8	3360
500	YR1405-4A0	400	1478	93.9	0.85	58	597	512	3230	1.8	3490
560	YR1451-4A0	450	1481	94.2	0.85	64	545	630	3611	1.8	4020
630	YR1452-4A0	450	1482	94.5	0.86	71	597	647	4059	1.8	4210
710	YR1453-4A0	450	1479	94.6	0.86	79	618	711	4584	1.8	4360
800	YR1454-4A0	450	1482	94.7	0.87	90	703	698	5155	1.8	4430
900	YR1501-4A0	500	1481	94.8	0.87	100	824	669	5803	1.8	5320
1000	YR1502-4A0	500	1482	94.9	0.87	111	899	680	6443	1.8	5490
1120	YR1503-4A0	500	1483	95	0.87	125	990	691	7212	1.8	5680
1250	YR1504-4A0	500	1484	95.1	0.87	140	1098	693	7722	1.8	5880
1400	YR1561-4A0	560	1486	95.2	0.87	156	1301	655	8996	1.8	6690
1600	YR1562-4A0	560	1486	95.3	0.87	179	1429	680	10282	1.8	6890
1800	YR1563-4A0	560	1487	95.4	0.87	200	1590	687	11559	1.8	7270
1000 rev/min - 6pole											
220	YR1401-6A0	400	986	92.5	0.81	27	332	428	2131	1.8	3040
250	YR1402-6A0	400	984	92.7	0.82	30	347	452	2426	1.8	3115
280	YR1403-6A0	400	984	92.8	0.82	34	376	466	2717	1.8	3210
315	YR1404-6A0	400	984	93	0.82	38	410	480	3057	1.8	3330
355	YR1405-6A0	400	984	93.2	0.82	43	450	492	3445	1.8	3420
400	YR1451-6A0	450	984	93.5	0.83	47	410	612	3882	1.8	3925
450	YR1452-6A0	450	984	93.6	0.84	53	451	624	4367	1.8	4080
500	YR1453-6A0	450	985	93.8	0.84	59	502	621	4847	1.8	4275
560	YR1454-6A0	450	986	94	0.84	66	565	615	5423	1.8	4500
630	YR1501-6A0	500	988	94.3	0.85	72	939	412	6089	1.8	5190
710	YR1502-6A0	500	989	94.5	0.85	82	1042	418	6855	1.8	5350
800	YR1503-6A0	500	988	94.7	0.85	92	1073	459	7732	1.8	5410
900	YR1504-6A0	500	989	94.8	0.85	103	1218	454	8690	1.8	5700
1000	YR1561-6A0	560	989	95	0.85	115	1250	490	9655	1.8	6630
1120	YR1562-6A0	560	989	95.1	0.85	128	1323	519	10814	1.8	6810
1250	YR1563-6A0	560	989	95.2	0.85	143	1403	549	12069	1.8	6860
750 rev/min - 8pole											
220	YR1401-8A0	400	735	92.2	0.78	28	480	288	2858	1.8	3230
250	YR1402-8A0	400	735	92.3	0.78	32	516	305	3248	1.8	3340
280	YR1403-8A0	400	735	92.5	0.79	35	559	315	3638	1.8	3450
315	YR1451-8A0	450	737	92.6	0.80	40	559	352	4081	1.8	3940
355	YR1452-8A0	450	737	92.7	0.80	44	611	364	4600	1.8	4115
400	YR1453-8A0	450	737	93	0.80	50	671	372	5183	1.8	4260
450	YR1454-8A0	450	737	93.2	0.81	55	748	375	5830	1.8	4470
500	YR1501-8A0	500	739	93.5	0.81	60	775	402	6461	1.8	5200
560	YR1502-8A0	500	739	93.7	0.81	67	862	404	7236	1.8	5400
630	YR1503-8A0	500	740	93.9	0.81	77	967	404	8130	1.8	5600
710	YR1504-8A0	500	739	94	0.81	85	1015	435	9174	1.8	5200
800	YR1561-8A0	560	741	94.2	0.81	98	1103	448	10309	1.8	6770
900	YR1562-8A0	560	741	94.3	0.81	109	1189	468	11598	1.8	6810
1000	YR1563-8A0	560	741	94.4	0.81	121	1287	480	12887	1.8	6910

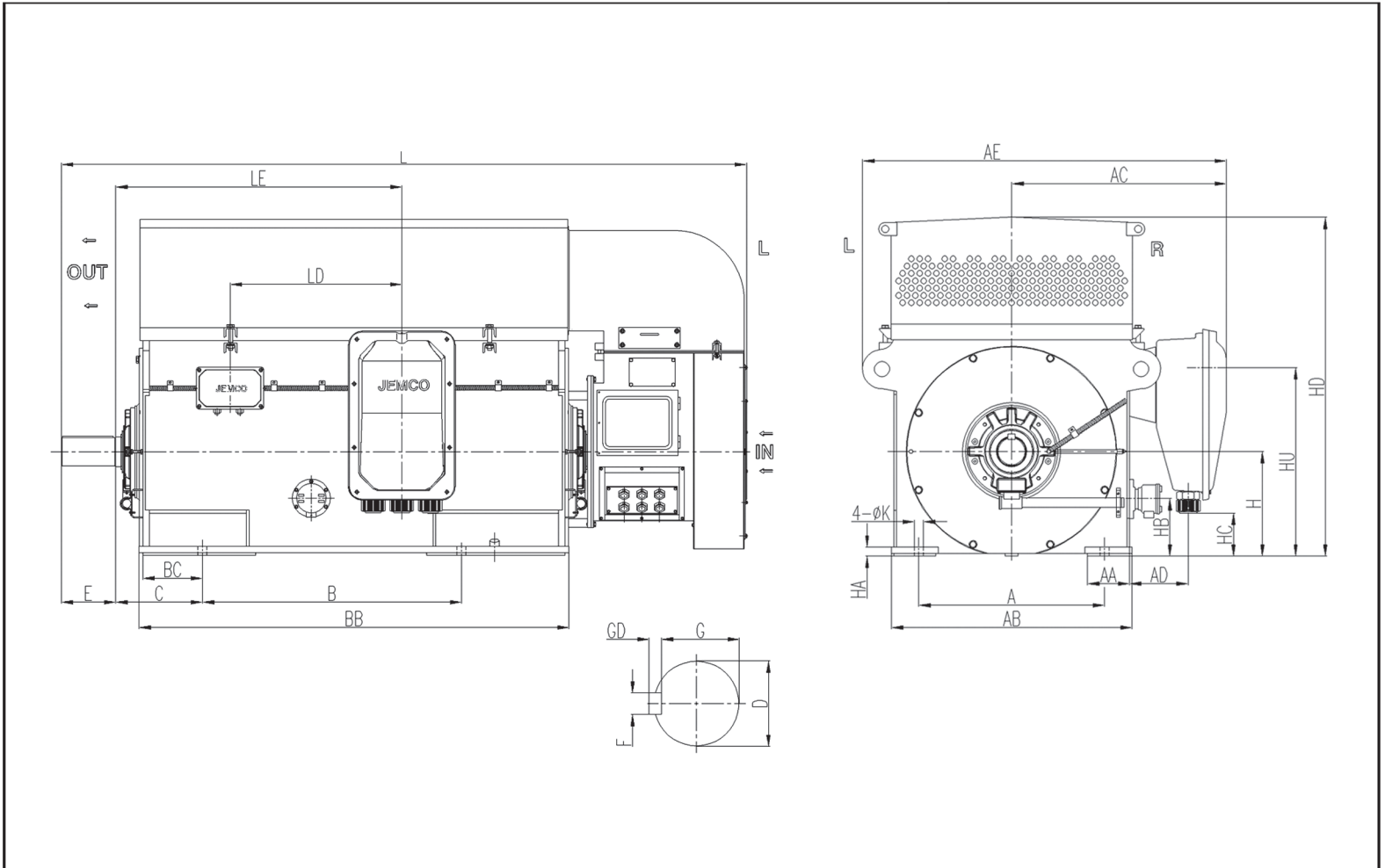
* In these motor series, production of electromotors are possible in the range of 3000 ~ 10000 Volt.

* Motor up 10MW can be manufactured according to customer order

Engineered Motors, YR

Dimension Drawings

Medium Voltage(6000V), Wound Rotor Motors, IM B3, IC611, IP55, 50Hz



Frame Size	Poles	A	B	C	D	E	F	G	H	K	L	AA	AB	AC	AD	AE	BB	BC	GD	HA	HB	HC	HD	HU	LD	LE
355	4	630	900	315	100	210	28	90	355	28	2900	160	870	810	22	1360	1600	180	16	35	220	160	1180	595	370	885
400	4,6,8	710	1000	355	110	210	28	100	400	35	2900	160	920	840	22	1400	1650	230	16	35	220	280	1300	715	380	900
450	4	800	1120	355	120	210	32	109	450	35	3000	150	1000	880	22	2000	1650	210	18	36	220	350	1450	785	400	830
450	6,8	800	1120	355	130	250	32	119	450	35	3000	150	1000	880	22	2000	1650	210	18	36	220	350	1450	785	470	925
500	4	900	1250	475	130	250	32	119	500	42	3400	170	1120	940	22	1600	1850	330	18	36	220	400	1700	875	470	1020
500	6,8	900	1250	475	140	250	36	128	500	42	3400	170	1120	940	22	1600	1750	330	20	36	220	400	1700	875	470	1020
560	4	1000	1400	500	150	150	36	138	560	42	3700	195	1200	980	22	1700	2100	320	20	36	220	530	1900	965	470	3030
560	6,8	1000	1400	500	160	300	40	147	560	42	3700	195	1200	980	22	1700	2100	340	22	36	220	530	1900	965	470	2870

TYPE YR - MEDIUM VOLTAGE (6000V) - Steel Frame



All type of cooling system productions are available according to IEC,(such as IC511)

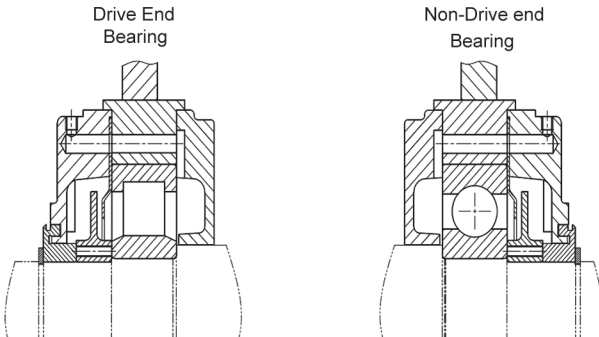
*This table is confirm on the main dimension in mm

*In special application these dimension can be changed by customer order

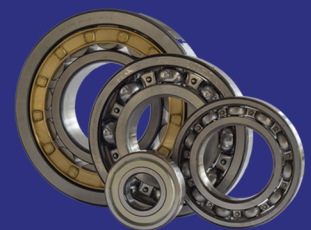
Engineered Bearings Type YR

Properties Table

Medium Voltage (6000V), Wound Rotor Motors

												GREASE TYPE
Frame Size	Poles	RPM	Drive End Bearing	AMB.TEMP (C°)	OPER.TIME (h)	QUANTITY (gr)	Non-Drive end Bearing	AMB.TEMP (C°)	OPER.TIME (h)	QUANTITY (gr)		
355	4	1500	NU322ECMC3	25°	1600	60	6322C3	25°	3400	60	K3N DIN 51825	
				40°	800			40°	1700			
400	4	1500	NU324ECMC3	25°	1400	72	6324C3	25°	3000	72		
				40°	700			40°	1500			
	6	1000		25°	3000			25°	5200			
				40°	1500			40°	2600			
	8	750		25°	4500			25°	6700			
				40°	2300			40°	3400			
450	4	1500	NU326ECMC3	25°	1100	81	6326C3	25°	2700	81		
				40°	600			40°	1300			
	6	1000		25°	2300			25°	4400			
				40°	1200			40°	2200			
	8	750		25°	3700			25°	5900			
				40°	1900			40°	3000			
500	4	1500	NU330ECMC3	25°	800	104	6330C3	25°	2300	104		
				40°	400			40°	1200			
	6	1000		25°	2100			25°	4000			
				40°	1000			40°	2000			
	8	750		25°	3400			25°	5600			
				40°	1700			40°	2800			
560	4	1500	NU332ECMC3	25°	600	116	6332C3	25°	1800	116		
				40°	300			40°	900			
	6	1000		25°	1600			25°	3400			
				40°	800			40°	1700			
	8	750		25°	2800			25°	4900			
				40°	1400			40°	2500			

Bearings Type YR



*Journal bearing of special design on request.