

**简介 INTRODUCTION:**

CDF、SDF系列三相异步电动机是我司在Y2系列基础上专为欧美市场设计的新款电机。其功率等级、安装尺寸与Y2系列完全相同，效率达到欧洲EFF2标准，并可按要求达到EFF1标准。采用F级绝缘，防护等级IP55，带PTC热敏电阻，使用SKF或NSK、NTN轴承，160及以上带注油嘴结构。

Adopting the national uniform design, Y2 series three-phase induction motors are in conformity with IEC 34-1 and JB/T8680 standards, also up to the international advanced level of the 90's. As the substitute of Y series induction motors, it possesses sophisticated features such as new construction, good appearance, slight vibration, low noise etc. CDF, SDF series three phase motors are newly designed by our company for the European and American markets on the basis of Y2 series. Its rated power and mounting sizes are quite same as Y2 series. The efficiency of CDF and SDF can meets standards of EFF2 and EFF1. The motors are adopted in class F (Temperature rise B) insulation and IP55 protection. Motors can be equipped with PTC, as well as re-greasing system for frame size 160 and above, bearings of SKF, NSK or NTN at optional.

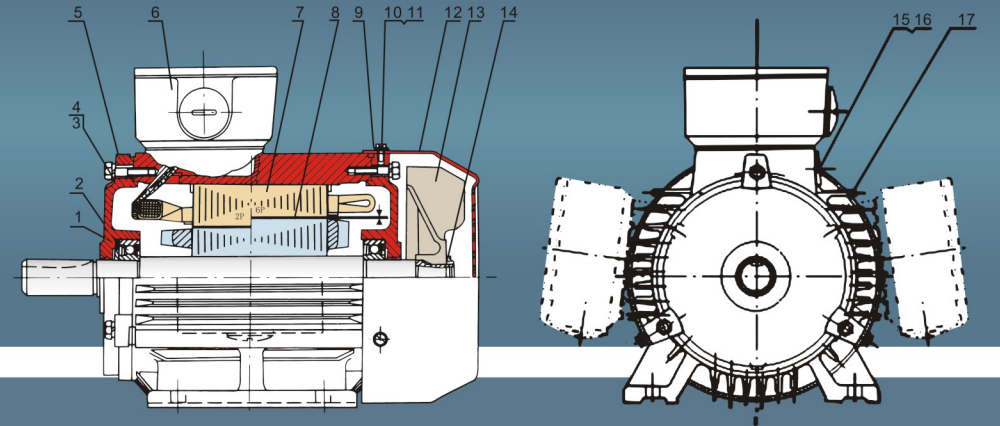
**使用条件 OPERATING CONDITIONS**

环境温度: -15℃<q<40℃ 海拔: 不超过1000m  
 额定电压: 380V、可选220-760V之间任何电压值。  
 额定频率: 50Hz、60Hz 防护等级: IP54、IP55 绝缘等级: F级、H级  
 冷却方式: IC 411 工作方式: 连续S1  
 接法: 3kW及以下Y接法, 4kW及以上为△接法。  
 其它: 可任意选择左、右、顶部出线方式和开口槽、闭口槽结构, 可附带PTC热敏电阻, 160及以上可带注油嘴结构。

Ambient temperature: -15℃<q<40℃ Altitude: not exceed 1000m  
 Rated voltage: 380V or any voltage between 220V-760V.  
 Rated frequency: 50Hz、60Hz Protection class: IP54、IP55  
 Insulation class: F、H Cooling method: IC 411 Duty:S1(continuous)  
 Connection: Star-connection for up to 3kW, delta-connection for 4kW and above  
 Remark: Terminal box on top, right or left side are available. Key-way can be closed type or open type. Motors can also be equipped with PTC, as well as re-greasing system for frame size 160 and above.

**CDF**

**SDF 系列三相异步电动机**  
SERIES THREE-PHASE ASYNCHRONOUS INDUCTION MOTOR



**MATERIAL TABLE**

	Description		Description		Description		Description
1	轴承 Bearing	6	接线盒 Terminal Box	11	垫圈 Washer	16	铆钉 Rivet
2	波形垫圈 Wave-form washer	7	定子 Stator pack with winding	12	风罩 Fan cowl	17	机座 Frame
3	螺栓 Bolt	8	转子 Rotor	13	风扇 Fan	18	
4	弹簧垫圈 Spring washer	9	后前盖 NDE shield	14	挡圈 Circlip	19	
5	前端盖 DE shield	10	螺钉 Screw	15	铭牌 Nameplate	20	

**轴承规格 BEARING SIZE**

机座号 Frame size	极数 Poles	CDF系列轴承 CDF Series Bearing		SDF系列轴承 SDF Series Bearing	
		轴伸端 Drive End	非轴伸端 Non-Drive End	轴伸端 Drive End	非轴伸端 Non-Drive End
63	2~4	6201	6201	6201	6201
71	2~6	6202	6202	6202	6202
80	2~8	6204	6204	6204	6204
90	2~8	6205	6205	6205	6205
100	2~8	6206	6206	6206	6206
112	2~8	6206	6206	6206	6206
132	2~8	6208	6208	6208	6208
160	2~8	6309	6309	6309	6309
180	2	6211	6211	6211	6211
	4~8	6311	6211	6311	6211
200	2	6212	6212	6212	6212
	4~8	6312	6212	6312	6212
225	2	6312	6312	6312	6312
	4~8	6313	6313	6313	6313
250	2	6313	6313	6313	6313
	4~8	6314	6314	6314	6314
280	2	6314	6314	6314	6314
	4~8	6317	6314	6317	6314
315	2	6317	6317	6317	6317
	4~10	6319	6319	6319	6319
355	2	6319	6319	6319	6319
	4~10	Nu322	6322	Nu322	6322



**SDF**

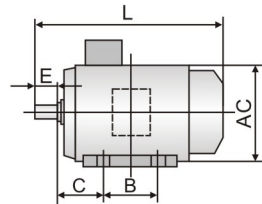


**CDF**

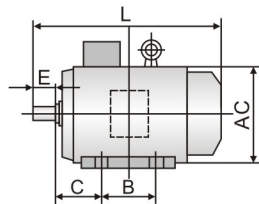


# CDF SDF

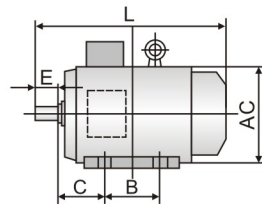
系列三相异步电动机  
SERIES THREE-PHASE ASYNCHRONOUS  
INDUCTION MOTOR



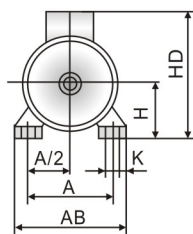
H63-90



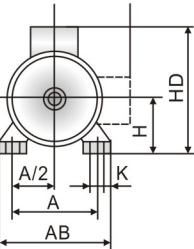
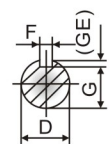
H100-132



H160-335



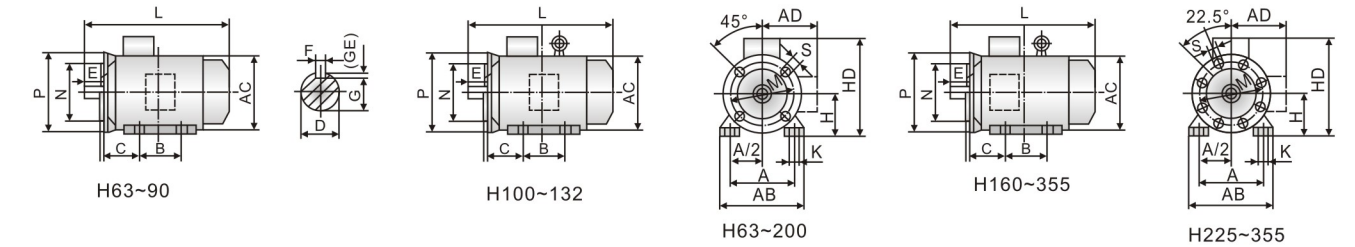
H63-71



H80-355

机座带底脚，端盖上无凸缘的电动机 Frame with feet and endshield without flange

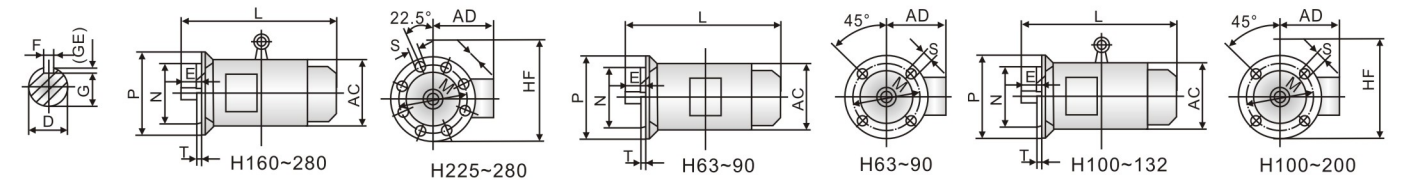
机座号 Frame size	极数 Poles	安装尺寸 Mounting dimensions										外形尺寸 Overall dimensions				
		A	A/2	B	C	D	E	F	G	H	K	AB	AC	AD	HD	L
63	2, 4	100	50	80	40	11	23	4	8.5	63	7	135	130	70	180	225
71	2, 4, 6	112	56	90	45	14	30	5	11	71	7	150	145	80	195	250
80		125	62.5	100	50	19	40	6	15.5	80		165	175	145	245	295
90S		140	70	100	56	24	50		20	90	10	180	195	155	250	315
90L				125				8		340						
100L		160	80	140	63	28	60		24	100	12	205	215	180	270	385
112M		190	95	140	70					400		230	240	190	300	400
132S		216	108	140	89	38	80	10	33	132	12	270	275	210	345	470
132M				178						510						
160M		254	127	210	108	42		12	37	160	15	320	330	255	420	615
160L				254						670						
180M		279	139.5	241	121	48	110	14	42.5	180	15	355	380	280	455	700
180L				279						740						
200L		318	159	305	133	55		16	49	200	19	395	420	305	505	770
225S	4, 8			286	60	140	18	53		815						
225M	2	356	178	311	149	55	110	16	49	225	19	435	470	335	555	820
250M	4, 6, 8			60				53		845						
250M	2	406	203	349	168	60		18	58	910	24	490	510	370	615	910
280S	2			65	140			58		985						
280S	4, 6, 8	457	228.5	368	190	75		20	67.5	1035	24	550	580	410	680	
280M	2			65				58								
280M	4, 6, 8			75				20	67.5							
315S	2			65				18	58	1160						
315S	4, 6, 8, 10			80	170	22	71			1210						
315M	2	508	254	457	216	6	140	18	58	1290						
315M	4, 6, 8, 10			80	170	22	71	315		1300						
315L	2			65	140	18	58			1290						
315L	4, 8			80	170	22	71			1320						
355M	2			75	140	20	67.5			1500						
355M	4, 6, 8, 10	610	305	560	254	95	170	95	86	1530	28	730	710	655	1010	1500
355L	2			75	140	20	67.5			1500						
355L	4, 6, 8, 10			630		95	170	25	86	1530						



机座带底脚，端盖上有凸缘（带通孔）的电动机 Frame with feet and endshield with flange (with plain holes)

机座号 Frame size	凸缘号 Flange NO.	极数 Poles	安装尺寸 Mounting dimensions													外形尺寸 Overall dimensions								
			A	A/2	B	C	D	E	F	G	H	K	M	N	P	R*	S	T	凸缘孔数 Flangeholes	AB	AC	AD	HD	L
63	FF115	2.4	100	50	80	40	11	23	4	8.5	63	7	115	95	140		10	3		135	130	70	180	225
71	FF130	2.4.6	112	56	90	45	14	30	5	11	71		130	110	160					150	145	80	195	250
80			125	62.5	100	50	19	40	6	15.5	80								165	175	145	245	295	
90S	FF165		140	70	100	56	24	50		20	90	10	165	130	200		12	3.5		180	195	155	250	315
90L					125				8		340													
100L	FF215		160	80	140	63	28	60		24	100	12	215	180	250					205	215	180	270	385
112M			190	95	140	70					400		230	240	190	300	400			230	240	190	300	400
132S	FF265	2.4.6.8	216	108	140	89	38	80	10	33	132	12	265	230	300					270	275	210	345	470
132M					178						510													
160M	FF300		254	127	210	108	42		12	37	160	15	300	250	350					320	330	255	420	615
160L					254						670													
180M	FF350		279	139.5	241	121	48	110	14	42.5	180	15	335	380	455					335	380	280	455	700
180L					279						740													
200L	FF350		318	159	305	133	55		16	49	200	19	350	300	400					395	420	305	505	770
225S	FF400	4.6			286	60	140	18	53		815													
225M	FF400	2	356	178	311	149	55	110	16	49	225	19	400	350	450					435	470	335	555	820
250M		4.6.8			60						845													
250M	FF500	2	406	203	349	168	60		18	58	910	24	500	450	550					490	510	370	615	910
280S	FF500	4.6.8			65	140			58		1035													
280M	FF500	2	457	228.5	368	190	75		20	67.5	1160	24	550	580	410	680				550	580	410	680	985
280M	FF500	4.6.8			65			58			1035													
315S	FF600	2	508	254	457	216	6	140	18	58	1210	24	600	550	660					635	645	530	845	1160
315S	FF600	4.6.8.10			80	170	22	71			1290													
315M	FF600	2			6	140	18	58			1290													
315M	FF600	4.6.8.10			80	170	22	71	315		1300													
315L	FF600	2			65	140	18	58			1290													
315L	FF600	4.8			80	170	22	71			1320													
355M	FF740	2	610	305	560	254	75	140	20	67.5	1500	28	740	680	800					730	710	655	1010	1500
355M	FF740	4.6.8.10			95	170	25	85			1530													
355L	FF740	2			75	140	20	67.5			1500													
355L	FF740	4.6.8.10			630		95	170	25	86	1530													

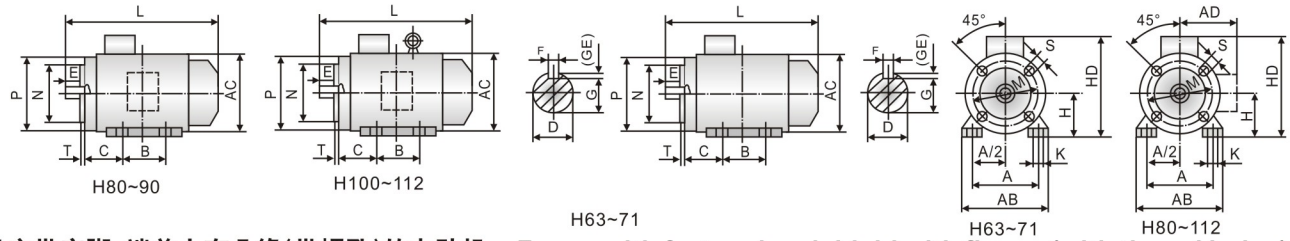
注：\*R为凸缘配合面至轴伸肩的距离。 Note: R is the distance from the flange mounting-plane to the shaft-extension shoulder.



机座不带底脚，端盖上有凸缘（带通孔）的电动机 Frame without feet and endshield with flange (with thread holes)

机座号 Frame size	凸缘号 Flange NO.	极数 Poles	安装尺寸 Mounting dimensions										外形尺寸 Overall dimensions				
			D	E	F	G	M	N	P	R*	S	T	凸缘孔数 Flangeholes	AC	AD	HF	L
63	FF115	2.4	11	23	4	8.5	115	95	140		10	3		130	70	130	225
71	FF130	2.4.6	14	30	5	11	130	110	160					145	80	145	250
80			19	40	6	15.5								175	145	185	295
90S	FF165		24	50		20	165	130	200		12	3.5		195	155	195	315
90L					8												
100L	FF215		28	60		24	215	160	250					215	180	245	385
112M														240	190	265	400
132S	FF265	2.4.6.8	38	80	10	33	265	230	300					275	210	315	510
160M																	
160L	FF300		42		12	37	300	250	350					330	255	385	615
180M																	
180L	FF300		48	110	14	42.5	300	250	350					380	280	430	700
200L	FF350		55		16	49	350	300	400					420	305	480	770
225S	FF400	4.8	60	140	18	53											
225M	FF400	2	55	110	16	49	400	350	450					470	335	535	820
250M		4.6.8			60												
250M	FF500	2	406	203	349	168	60		18	58	910	19	5	8	510	370</	

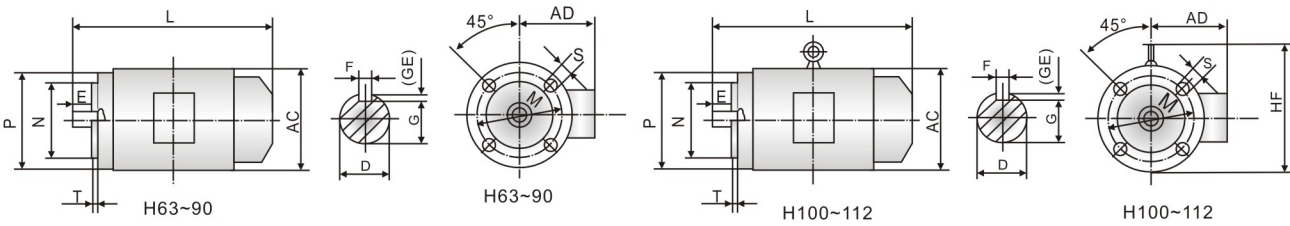




机座带底脚,端盖上有凸缘(带螺孔)的电动机 Frame with feet and endshield with flange (with thread holes)

机座号 Frame size	凸缘号 Flange NO.	极数 Poles	安装尺寸 Mounting dimensions										外形尺寸 Overall dimensions																		
			D	E	F	G	M	N	P	R*	S	T	凸缘孔数 Flangeholes	AB	AC	AD	HD	L													
63	FT75	2.4	11	23	4	8.5	75	60	90	0	M5	4	135	130	70	180	225														
71	FT85	2.4.6	14	30	5	11	85	70	105		M6		2.5	150	145	80	195	250													
80	FT100	2.4.6.8	19	40	6	15.5	100	80	120		M8		3.0	165	175	145	214	295													
90S	FT115		24	50	8	20	115	95	140		M8		3.5	180	195	155	250	315													
90L	FT130		28	60		24	130	110	160		M10			205	215	180	270	385													
100L	FT130	2.4.6.8	28	60	8	24	130	110	160		0		M10	3.5	230	240	190	300	400												
112M	FT165																			38	80	10	33	165	130	200	270	275	210	345	470
132S	FT165																			38	80	10	33	165	130	200	270	275	210	345	470
132M	FT165	38	80	10	33	165	130	200	270		275		210	345	470																

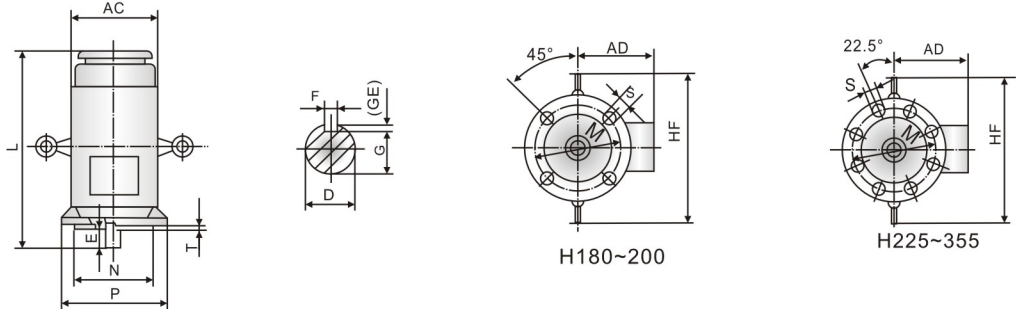
注: \*R为凸缘配合面至轴伸肩的距离。 Note: R is the distance from the flange mounting-plane to the shaft-extension shoulder.



机座不带底脚,端盖上有凸缘(带螺孔)的电动机 Frame without feet and endshield with flange (with thread holes)

机座号 Frame size	凸缘号 Flange NO.	极数 Poles	安装尺寸 Mounting dimensions										外形尺寸 Overall dimensions																
			D	E	F	G	M	N	P	R*	S	T	凸缘孔数 Flangeholes	AC	AD	HF	L												
63	FT75	2.4	11	23	4	8.5	75	60	90	0	M6	4	130	70	130	225													
71	FT85	2.4.6	14	30	5	11	85	70	105		M6		2.5	145	80	145	250												
80	FT100	2.4.6.8	19	40	6	15.5	100	80	120		M8		3.0	175	145	185	290												
90S	FT115		24	50	8	20	115	95	140		M8		3.5	195	155	190	315												
90L	FT130		28	60		24	130	110	160		M10			215	180	245	380												
100L	FT130	2.4.6.8	28	60	8	24	130	110	160		0		M10	3.5	240	190	265	400											
112M	FT165																		38	80	10	33	165	130	200	275	210	315	470
132S	FT165																		38	80	10	33	165	130	200	275	210	315	470
132M	FT165	38	80	10	33	165	130	200	275		210		315	470															

注: \*R为凸缘配合面至轴伸肩的距离。 Note: R is the distance from the flange mounting-plane to the shaft-extension shoulder.



立体安装,机座不带底脚,端盖上有凸缘(带通孔),轴伸向下的电动机  
Vertical type, frame without feet and endshield with flange (with thread holes)

机座号 Frame size	凸缘号 Flange NO.	极数 Poles	安装尺寸 Mounting dimensions										外形尺寸 Overall dimensions																								
			D	E	F	G	M	N	P	R*	S	T	凸缘孔数 Flangeholes	AC	AD	HF	L																				
180M	FF300	2.4.6.8	48	110	14	42.5	300	250	350	0	19	5	4	380	280	500	760																				
180L	FF350		55		49	350	300	400	420					305	550	800																					
200L	FF350		55		49	350	300	400	420					305	550	840																					
225S	FF400	4.8	60	140	18	53	400	350	450					0	24	6	8	470	335	610	905																
225M		2	55	110	16	49												400	350	450	935																
250M	FF500	4.6.8	60	140	18	53	400	350	450									0	24	6	8	510	370	650	1015												
		2																				65	18	58	500	450	550	1110									
280S	FF500	4.6.8	65	140	18	58	500	450	550													0	24	6	8	580	410	720	1150								
280M		2																								65	18	58	500	450	550	1150					
315S	FF600	4.6.8	75	140	18	58	600	550	660																	0	24	6	8	645	530	900	1280				
		2																												65	18	58	600	550	660	1310	
315M	FF600	4.6.8	75	140	18	58	600	550	660																					0	24	6	8	645	530	900	1310
		2								65	18	58	600																					550	660	1330	
315L	FF600	4.6.8	80	170	22	71	600	550	660	0	24	6	8																					645	530	900	1310
		2																																65	140	18	58
355M	FF740	4.6.8	80	170	22	71	740	680	800					0	24	6	8																	710	655	1010	1430
		2																																75	140	20	67.5
355L	FF740	4.6.8	95	170	25	86	740	680	800									0	24	6	8													710	655	1010	1640
		2																																75	140	20	67.5
355L	FF740	4.6.8	95	170	25	86	740	680	800													0	24	6	8									710	655	1010	1670
		2																																75	140	20	67.5

注: \*R为凸缘配合面至轴伸肩的距离。 Note: R is the distance from the flange mounting-plane to the shaft-extension shoulder.

CDF SDF 技术数据 TECHNICAL DATA OF CDF SDF

型号 Model	功率 Output		电流 Current (A)		转速 Speed (r/min)	效率 Efficiency (%)	功率因素 Power Factor	堵转转矩 额定转矩 Tstart/Tn	堵转电流 额定电流 Ist/In	最大转矩 额定转矩 Tmax/Tn
	kW	HP	380 V	400 V						
同步转速3000转/分 (2极) 380V 50Hz Synchronous Speed 3000 r/min (2 Poles)										
631-2	0.18	0.24	0.53	0.50	2730	65.0	0.80	2.2	5.5	2.2
632-2	0.25	0.33	0.66	0.60	2730	40.0	8.81	2.6	5.5	2.6
711-2	0.37	0.50	0.95	0.90	2750	72.3	0.82	2.4	6.1	2.5
712-2	0.55	0.75	1.33	1.26	2790	76.0	0.82	2.4	6.1	2.9
801-2	0.75	1	1.83	1.71	2845	76.1	0.83	2.4	7.0	2.5
802-2	1.1	1.5	2.60	2.5	2840	76.2	0.83	2.5	7.0	2.5
90S-2	1.5	2	3.50	3.3	2840	78.8	0.84	2.7	7.0	2.8
90L-2	2.2	3	4.80	4.6	2840	81.0	0.84	2.5	6.0	2.8
100L-2	3.0	4	6.40	6.1	2830	82.8	0.87	2.2	7.5	2.5
112M-2	4.0	5.5	8.10	7.7	2890	84.2	0.88	2.3	7.1	2.3
132S1-2	5.5	7.5	11.0	10.5	2910	85.9	0.88	2.3	7.5	2.5
132S1-2	7.5	10	15.0	14.3	2905	87.3	0.88	2.2	7.5	2.4
160M1-2	11	15	22.0	20	2935	88.6	0.89	2.3	7.7	3.1
160M2-2	15	20	29.0	27	2935	89.4	0.90	2.4	7.6	3.1
160L-2	18.5	25	35.0	33	2935	90.1	0.91	2.7	7.7	3.2
180M-2	22	30	41.0	39	2940	90.6	0.90	2.0	7.7	2.7
200L1-2	30	40	56.0	53	2945	91.6	0.90	2.1	6.9	2.8
200L2-2	37	50	68.0	64	2945	92.2	0.90	2.2	7.0	2.6
225M-2	45	60	81.0	77	2950	92.7	0.90	2.4	7.3	3.1
250M-2	55	75	100	95	2965	93.1	0.90	2.6	7.6	3.1
280S-2	75	100	134	127	2965	93.8	0.91	2.2	7.8	2.5
280M-2	90	125	160	152	2965	94.4	0.91	2.2	7.8	2.5
315S-2	110	150	196	186	2975	94.4	0.91	1.8	7.1	2.4
315M-2	132	180	234	222	2975	94.9	0.91	1.8	7.1	2.4
315L1-2	160	215	280	266	2975	95.1	0.92	1.8	7.1	2.5
315L2-2	200	270	348	331	2975	95.2	0.90	1.8	7.1	2.5
355M-2	250	340	430	410	2970	95.3	0.90	1.6	7.3	2.2
355L-2	315	420	543	515	2970	95.6	0.92	1.6	7.3	2.2
同步转速1500转/分 (4极) 380V 50Hz Synchronous Speed 1500 r/min (4 Poles)										
631-4	0.12	0.16	0.44	0.42	1320	57.0	0.72	2.4	5.2	2.2
632-4	0.18	0.24	0.53	0.60	1320	60.0	0.72	2.4	5.2	2.5
711-4	0.25	0.33	0.73	0.79	1350	65.0	0.70	2.5	5.2	3.0
712-4	0.37	0.50	1.10	1.0	1340	67.0	0.75	2.5	5.2	3.1
801-4	0.55	0.75	1.50	1.4	1390	71.0	0.77	2.5	5.3	2.5
802-4	0.75	1.0	2.0	1.9	1380	74.4	0.77	2.5	5.3	2.5
90S-4	1.1	1.5	3.0	2.9	1390	76.3	0.75	2.5	4.7	2.3
90L-4	1.5	2	3.9	3.7	1390	78.5	0.76	2.2	5.2	2.6
100L1-4	2.2	3	5.2	4.9	1410	81.2	0.81	2.3	6.8	2.5
100L2-4	3.0	4	6.8	6.5	1410	82.8	0.82	2.3	7.1	2.5
112M-4	4.0	5.5	8.7	8.3	1440	84.2	0.82	2.3	6.4	2.6
132S-4	5.5	7.6	12	11	1445	85.7	0.83	2.3	7.0	2.5
132M-4	7.5	10	16	15	1445	87.2	0.84	2.3	7.0	2.5
160M-4	11	15	23	22	1460	88.4	0.85	2.4	7.0	2.9
160L-4	15	20	30	28	1460	89.5	0.85	2.6	7.6	2.9
180M-4	18.5	25	36	34	1470	90.2	0.87	2.2	7.0	3.0
180L-4	22	30	42	40	1470	90.6	0.87	2.2	7.0	2.7
200L-4	30	40	58	55	1470	91.4	0.86	2.2	7.2	3.0
225S-4	37	50	70	66	1475	92.2	0.87	2.2	6.9	2.8
225M-4	45	60	85	80	1475	92.5	0.87	2.2	7.0	3.0
250M-4	55	75	106	98	1475	93.1	0.87	2.2	7.4	2.8
280S-4	75	100	140	133	1485	93.7	0.87	2.2	7.5	2.4
280M-4	90	125	167	159	1485	93.9	0.87	2.2	7.5	2.4
315S-4	110	150	201	191	1485	94.5	0.88	2.2	6.9	2.7
315M-4	132	180	241</							