

# GMYL单相异步电动机

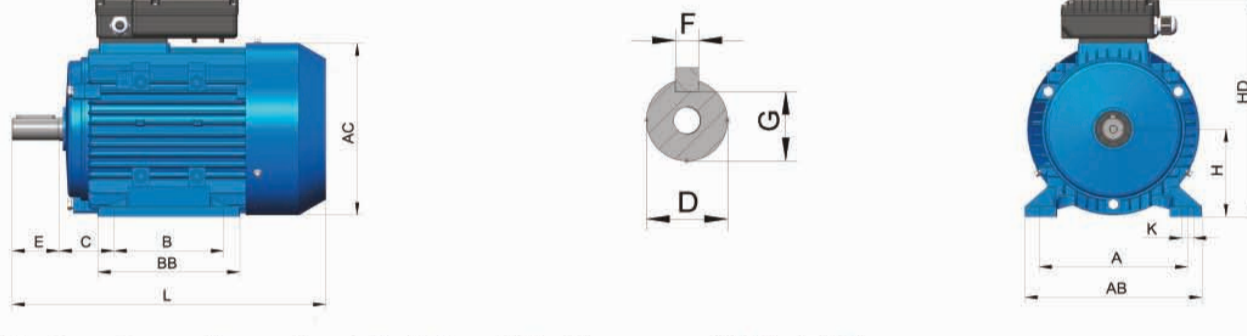


## 技术参数

### TECHNICAL DATA OF GMYL SERIES

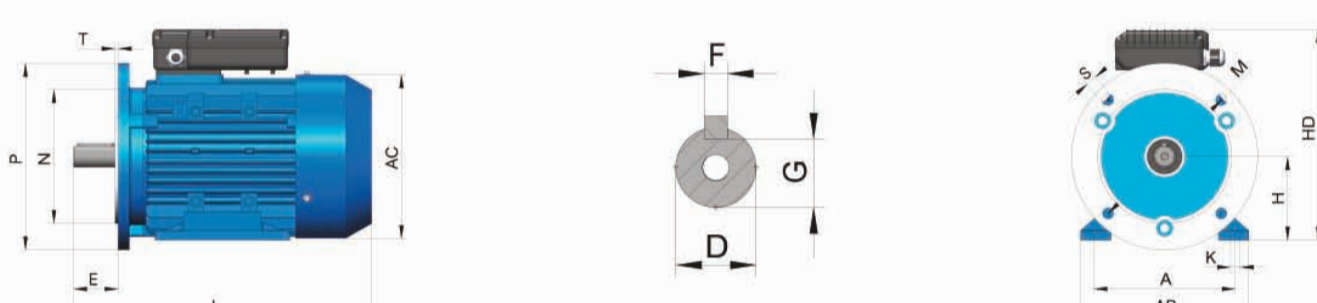
Frame reference and size	rated power	Full load speed in revolutions per minute	Full load current at rated voltage	Exciter Voltage	Efficiency	Power factor	Direct on line starting torque ratio	Direct on line pull out torque ratio	Direct on line starting current ratio	Mean sound pressure level @1m on no load	Start Capacitor	Running Capacitor	Weight
Type	Output (KW)	Speed (r/min)	Amps (A)	Voltage (V)	EFF. (%)	P.F. Cosφ	LRT/RLT	BDT/RLT	LRA/RLA	Noise LwdB(A)	(μf/v)	(μf/v)	Weight (Kg)
GMYL711-2	0.37	2800	2.7	220	67	0.92	1.8	1.6	5.5	72	50/250	8/450	10
GMYL712-2	0.55	2800	3.9	220	70	0.92	1.8	1.6	5.5	72	100/250	15/450	11
GMYL711-4	0.25	1400	2	220	62	0.92	1.7	1.6	5.0	67	75/250	15/450	9
GMYL712-4	0.37	1400	2.8	220	65	0.92	1.7	1.6	5.0	67	75/250	15/450	10
GMYL801-2	0.75	2800	4.9	220	73	0.95	1.8	1.6	5.5	75	100/250	25/450	14
GMYL802-2	1.1	2800	7	220	75	0.95	1.8	1.6	5.5	75	100/250	30/450	15
GMYL801-4	0.55	1400	3.95	220	69	0.92	1.7	1.6	5.0	70	100/250	15/450	13
GMYL802-4	0.75	1400	5.05	220	71	0.95	1.7	1.6	5.0	70	100/250	25/450	14
GMYL90L1-2	1.5	2800	9.4	220	76	0.95	1.8	1.6	5.5	78	200/250	40/450	22
GMYL90L2-2	2.2	2800	13.7	220	77	0.95	1.7	1.6	5.5	78	300/250	50/450	24
GMYL90L1-4	1.1	1400	7.3	220	72	0.95	1.7	1.6	5.0	73	150/250	30/450	21
GMYL90L2-4	1.5	1400	9.7	220	74	0.95	1.7	1.6	5.0	73	200/250	40/450	23
GMYL100L-2	3	2222	18.2	222	79	0.95	1.7	1.6	6.0	83	350/250	55/450	24
GMYL100L1-4	2.2	1400	13.9	220	76	0.95	1.7	1.6	5.0	78	300/250	50/450	32
GMYL100L2-4	3	1400	18.4	220	78	0.95	1.7	1.6	5.0	78	350/250	55/450	33

## 安装尺寸



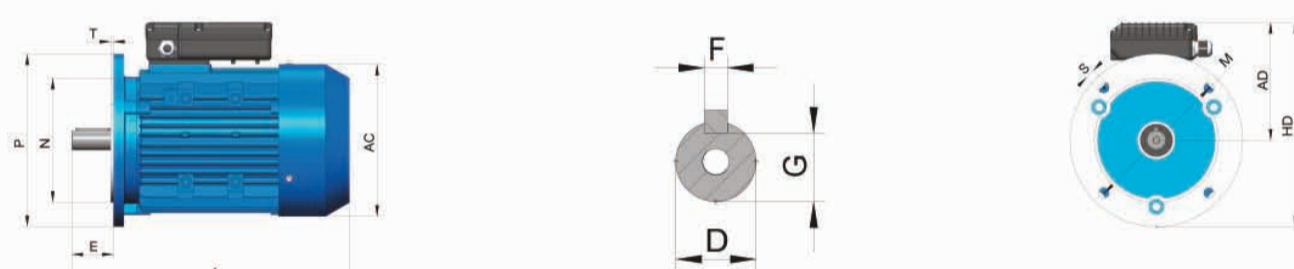
### Frame with feet and end-shield with flange (IM B3)

TYPE	POLES	A	B	C	D	E	F	G	H	K	AB	BB	HD	AC	L
63	2.4	100	80	40	11	23	4	8.5	63	7	135	100	182	120	217
71	2.4	112	90	45	14	30	5	11	71	7	150	112	202	136	250
80	2.4	125	100	50	19	40	6	15.5	80	10	153	125	227	160	310
90L1	2.4	140	125	56	24	50	8	20	90	10	172	156	246	175	340
90L2	2.4	140	125	56	24	50	8	20	90	10	172	156	246	175	340
100L	2.4	160	140	63	28	60	8	24	100	12	200	172	250	196	425
112M	2.4	190	140	70	28	60	8	24	112	12	230	181	285	220	450
132S	2.4	216	140	89	38	80	10	33	132	12	260	186	330	259	485
132M	2.4	216	178	89	38	80	10	33	132	12	260	224	330	259	525



### Frame with feet and end-shield with flange (IM B35)

TYPE	POLES	A	B	C	D	E	F	G	H	K	P	N	M	S	T	AB	BB	AC	HD	L
63	2.4	100	80	40	11	23	4	8.5	63	7	140	95	115	10	3	135	100	120	182	217
71	2.4	112	90	45	14	30	5	11	71	7	160	110	130	12	3.5	150	112	136	202	250
80	2.4	125	100	50	19	40	6	15.5	80	10	200	130	165	12	3.5	153	125	160	227	310
90L1	2.4	140	125	56	24	50	8	20	90	10	200	130	165	12	3.5	172	156	175	246	340
90L2	2.4	140	125	56	24	50	8	20	90	10	200	130	165	12	3.5	172	156	175	246	340
100L	2.4	160	140	63	28	60	8	24	100	12	250	180	215	15	4	200	172	196	250	425
112M	2.4	190	140	70	28	60	8	24	112	12	250	180	215	15	4	230	181	220	285	450
132S	2.4	216	140	89	38	80	10	33	132	12	300	230	265	15	4	260	186	259	330	485
132M	2.4	216	178	89	38	80	10	33	132	12	300	230	265	15	4	260	224	259	330	525



### Frame with feet and end-shield with flange (IM B5)

TYPE	POLES	D	E	F	G	P	N	M	S	T	AD	HF	AC	L
63	2.4	11	23	4	8.5	140	95	115	10	3	119	189	120	217
71	2.4	14	30	5	11	160	110	130	12	3.5	131	211	136	250
80	2.4	19	40	6	15.5	200	130	165	12	3.5	147	247	160	310
90L1	2.4	24	50	8	20	200	130	165	12	3.5	156	256	175	340
90L2	2.4	24	50	8	20	200	130	165	12	3.5	156	256	175	340
100L	2.4	28	60	8	24	250	180	215	15	4	150	275	196	425
112M	2.4	28	60	8	24	250	180	215	15	4	173	298	220	450
132S	2.4	38	80	10	33	300	230	265	15	4	198	348	259	485
132M	2.4	38	80	10	33	300	230	265	15	4	198	348	259	525

## 轴承规格

### 轴承规格

外形尺寸	级数	轴伸端	非轴伸端
80	2-4	6204-2RZ	6204-2RZ
90	2-6	6205-2RZ	6205-2RZ
100	2-6	6206-2RZ	6206-2RZ
112	2-6	6306-2RZ	6306-2RZ
132	2-6	6308-2RZ	6308-2RZ
160	2-6	6309-2RZC3	6309-2RZC3
180	2-6	6311C3	6311C3
200	2-6	6312C3	6312C3
225	2-6	6313C3	6313C3
250	2-6	6314C3	6314C3
280	2	6314C3	6314C3
	4-6	6317C3	6317C3
315	2	6317C3	6317C3
	4-6	NU319C3	6319C3
355	2	6319C3	6319C3
	4-6	NU322C3	NU322C3