



DOMO Series

Submersible pumps for solid-laden wastewater. Made in stainless steel, with mechanical seal and versions with twin-channel impeller, Vortex impeller, and grinder impeller.

Supplied with or without float switch.

3

SPECIFICATIONS

Delivery: up to 40 m³/h

Head: up to 14.5 m

Power supply: three-phase and single-phase 50 and 60 Hz
Power: 0.55 kW to 1.5 kW

Maximum immersion depth:
5 m

Temperature of pumped liquid:
0°C to +35°C (with pump totally immersed)

Shaft extension: Stainless steel

Liquids with suspended solids:
up to 35 mm (Domo 7-Domo 7VX)
up to 50 mm (Domo 10-15-20 and Domo10-15-20VX)

Version with grinder impeller (DOMO GRI)

Insulation class: F (motor dry)

Protection: IP68

Length of cable: 10 m
(except Domo 7,5 m)

MATERIALS

Pump body, motor casing:
Stainless steel

DOMO 7 (VX) impeller: Reinforced nylon

DOMO 10-15-20 (VX) impeller:
Stainless steel

DOMO GRI impeller: Technopolymer PBT, stainless steel and high resistance Grinder.

Inner mechanical seal:



Silicon-carbide/Silicon-carbide
Lubricated by the DRIVELUB System.

Upper lip seal: NBR

Shaft extension: Stainless steel

Handle: Nylon

APPLICATIONS

- Emptying of septic tanks and residential sumps
- Pumping of effluent (the VX version also pumps suspended filaments)
- Emptying of wells and tanks in industrial and ecological applications
- Emptying of tanks or reservoirs
- Emergency draining in flooded areas

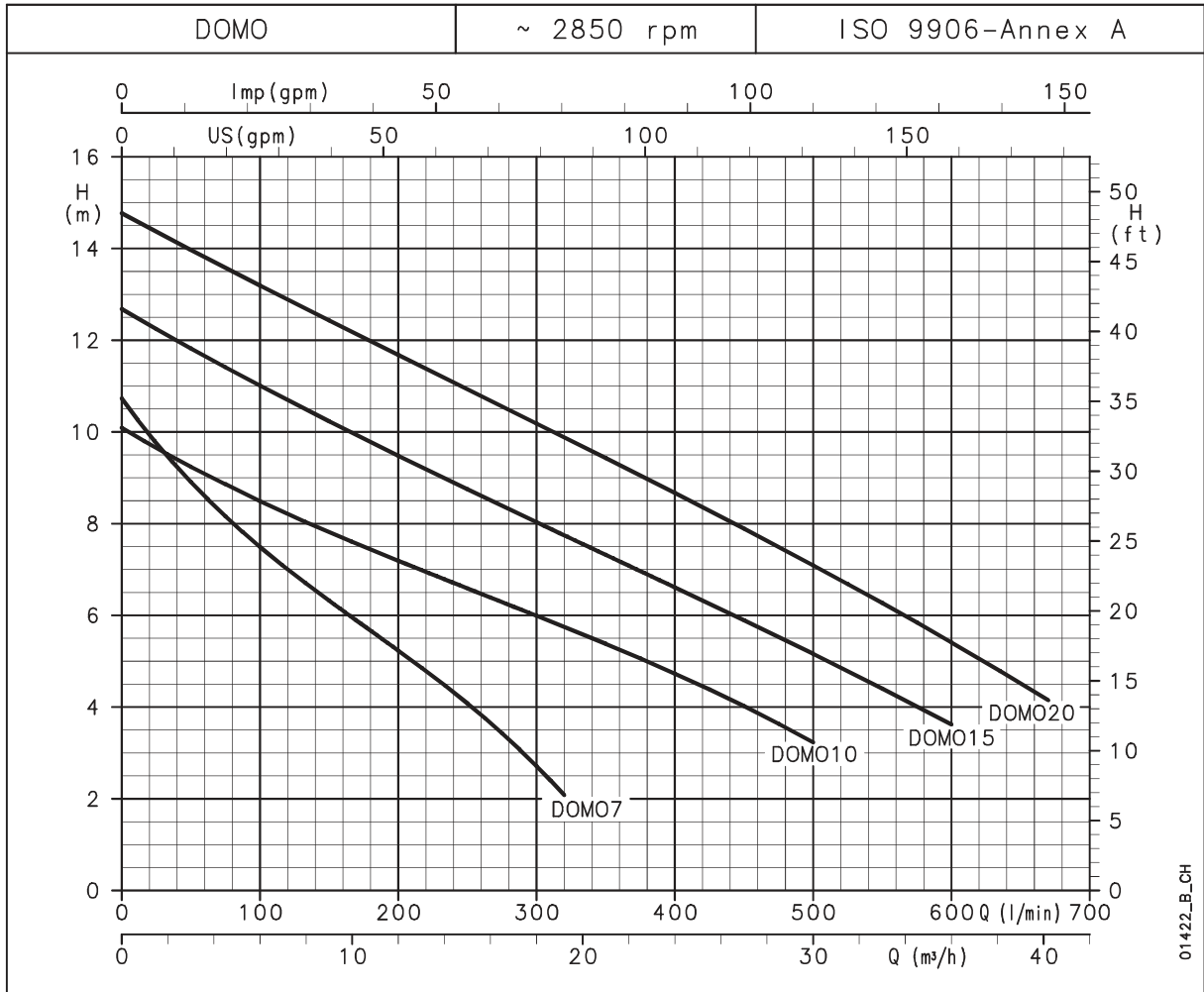
For a complete list of technical information, consult www.lowara.com

Engineered for life



DOMO SERIES

OPERATING CHARACTERISTICS AT 50 Hz





DOMO SERIES HYDRAULIC PERFORMANCE TABLE

| PUMP TYPE | RATED POWER | | Q = DELIVERY | | | | | | | | | | | |
|--|-------------|------|-------------------|------|------|------|------|------|-----|------|-----|-----|-----|------|
| | | | l/min | 0 | 100 | 150 | 200 | 250 | 300 | 320 | 400 | 500 | 600 | 670 |
| | | | m ³ /h | 0 | 6 | 9 | 12 | 15 | 18 | 19,2 | 24 | 30 | 36 | 40,2 |
| H = TOTAL HEAD IN COLUMN OF WATER (METRES) | | | | | | | | | | | | | | |
| DOMO 7(T) | 0,55 | 0,75 | 10,7 | 7,5 | 6,3 | 5,2 | 4,1 | 2,7 | 2,1 | | | | | |
| DOMO 10(T) | 0,75 | 1 | 10,1 | 8,5 | 7,8 | 7,2 | 6,6 | 6,0 | 5,8 | 4,7 | 3,2 | | | |
| DOMO 15(T) | 1,1 | 1,5 | 12,7 | 11,0 | 10,2 | 9,5 | 8,8 | 8,0 | 7,8 | 6,6 | 5,2 | 3,6 | | |
| DOMO 20T | 1,5 | 2 | 14,8 | 13,2 | 12,4 | 11,7 | 10,9 | 10,2 | 9,9 | 8,7 | 7,1 | 5,4 | 4,2 | |

These performances are valid for liquids with density $\rho = 1.0 \text{ kg/dm}^3$ and kinematic viscosity $\nu = 1 \text{ mm}^2/\text{s}$.

domo-2p50_a_th

ELECTRICAL DATA

| PUMP TYPE | INPUT POWER* | INPUT CURRENT* | CAPACITOR |
|--------------|--------------|----------------|-------------------------------|
| SINGLE-PHASE | | 220-240 V | |
| | kW | A | $\mu\text{F} / 450 \text{ V}$ |
| DOMO 7 | 0,80 | 3,94 | 16 |
| DOMO 10 | 1,14 | 5,84 | 22 |
| DOMO 15 | 1,58 | 7,02 | 30 |
| - | - | - | - |

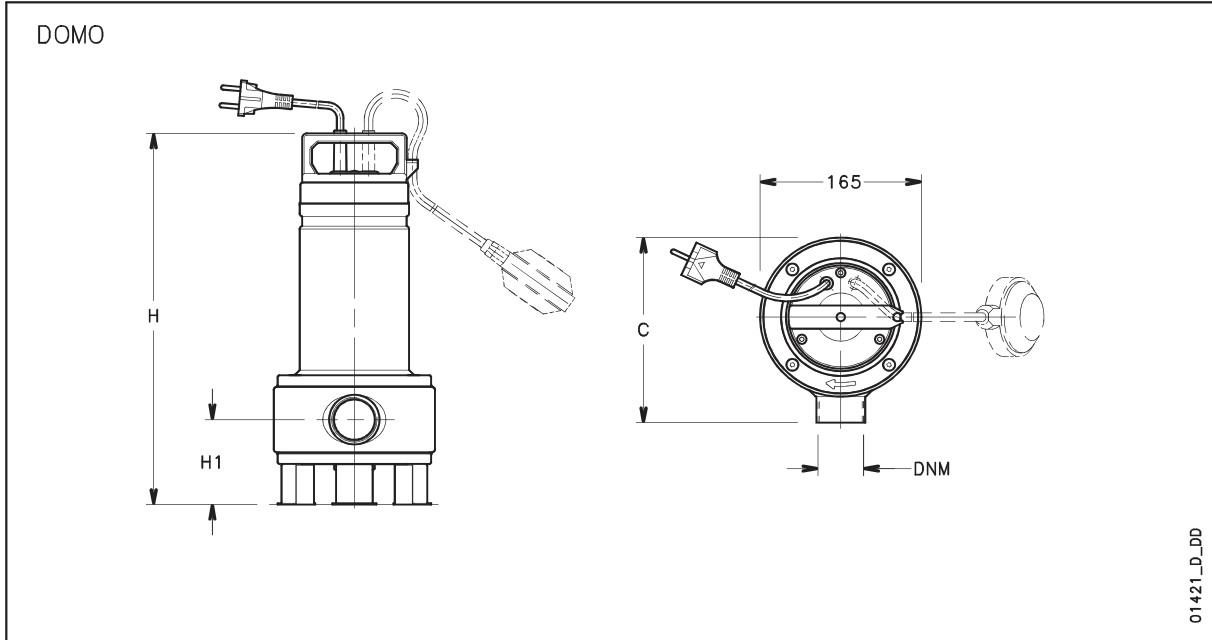
*Maximum value in specified range

| PUMP TYPE | INPUT POWER* | INPUT CURRENT* | INPUT CURRENT* |
|-------------|--------------|----------------|----------------|
| THREE-PHASE | | 220-240 V | 380-415 V |
| | kW | A | A |
| DOMO 7T | 0,73 | 2,58 | 1,49 |
| DOMO 10T | 1,09 | 4,09 | 2,36 |
| DOMO 15T | 1,49 | 4,73 | 2,73 |
| DOMO 20T | 1,96 | 6,6 | 3,81 |

domo-2p50_a_te



DOMO SERIES - DIMENSIONS AND WEIGHTS



3

| PUMP TYPE SINGLE-PHASE | | DIMENSIONS (mm) | | | DNM | WEIGHT kg |
|---------------------------|-------------|-----------------|-------|-----|------|--------------|
| | | H | H1 | C | | |
| DOMO 7 | DOMO 7 GT | 391 | 88 | 193 | Rp1½ | 10,2 |
| DOMO 7VX | DOMO 7VX GT | | | | | |
| DOMO10 | DOMO10 GT | 468 | 111,5 | 198 | Rp2 | 13,6 |
| D0MO10VX | D0MO10VX GT | | | | | |
| DOMO15 | DOMO15 GT | 468 | 111,5 | 198 | Rp2 | 15,3 |
| DOMO15VX | DOMO15VX GT | | | | | |
| - | - | - | - | - | - | - |

| PUMP TYPE THREE-PHASE | | DIMENSIONS (mm) | | | DNM | WEIGHT kg |
|--------------------------|-----------|-----------------|-------|-----|------|--------------|
| | | H | H1 | C | | |
| DOMO 7T | DOMO 7VXT | 391 | 88 | 193 | Rp1½ | 8,9 |
| DOMO10T | D0MO10VXT | | | | | |
| DOMO15T | DOMO15VXT | 468 | 111,5 | 198 | Rp2 | 13,6 |
| DOMO20T | D0MO20VXT | | | | | |

domo-2p50_c_td

